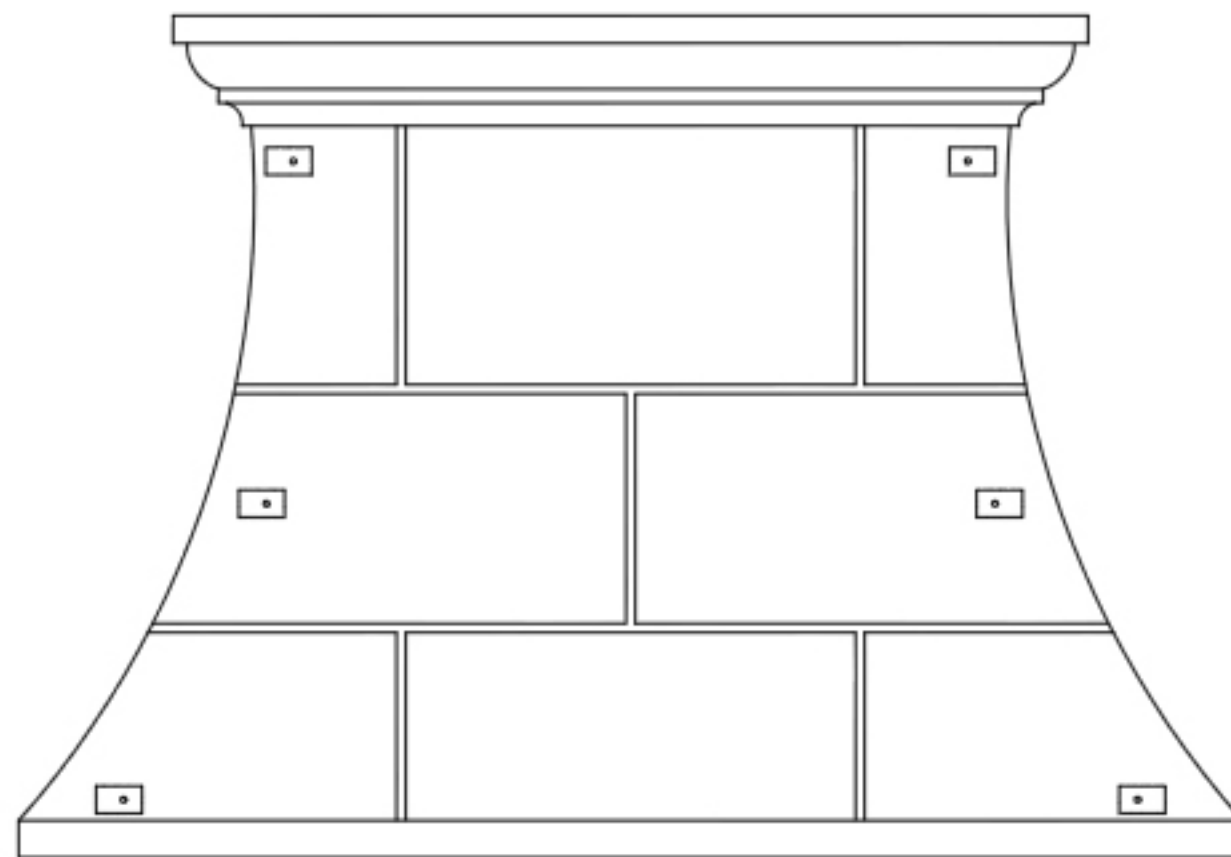


1-1 section



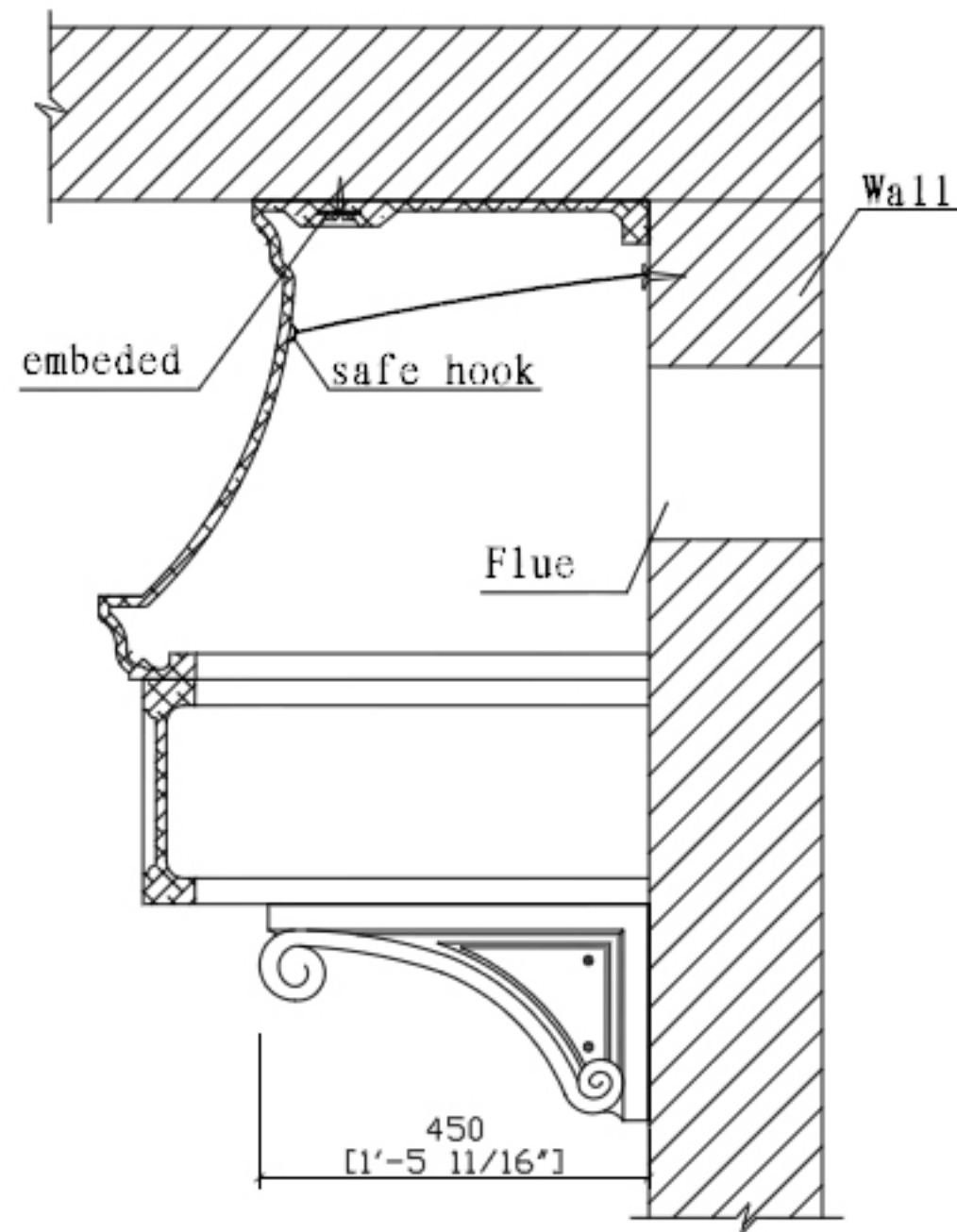
① 1 pcs



② 1 pcs



③ 2 pcs



1-1 section

Note:

1. sandstone finish.
2. top closed over.