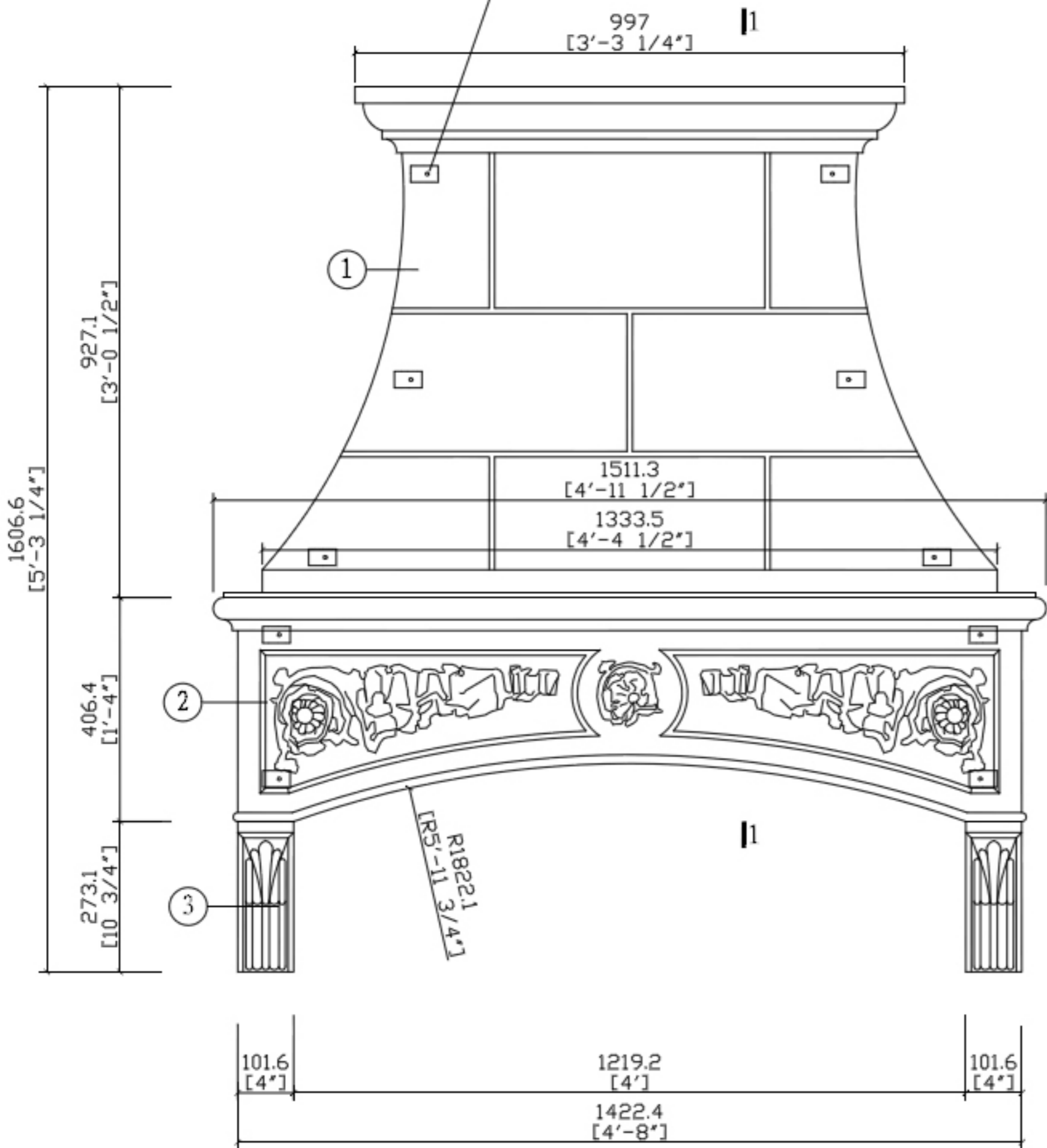
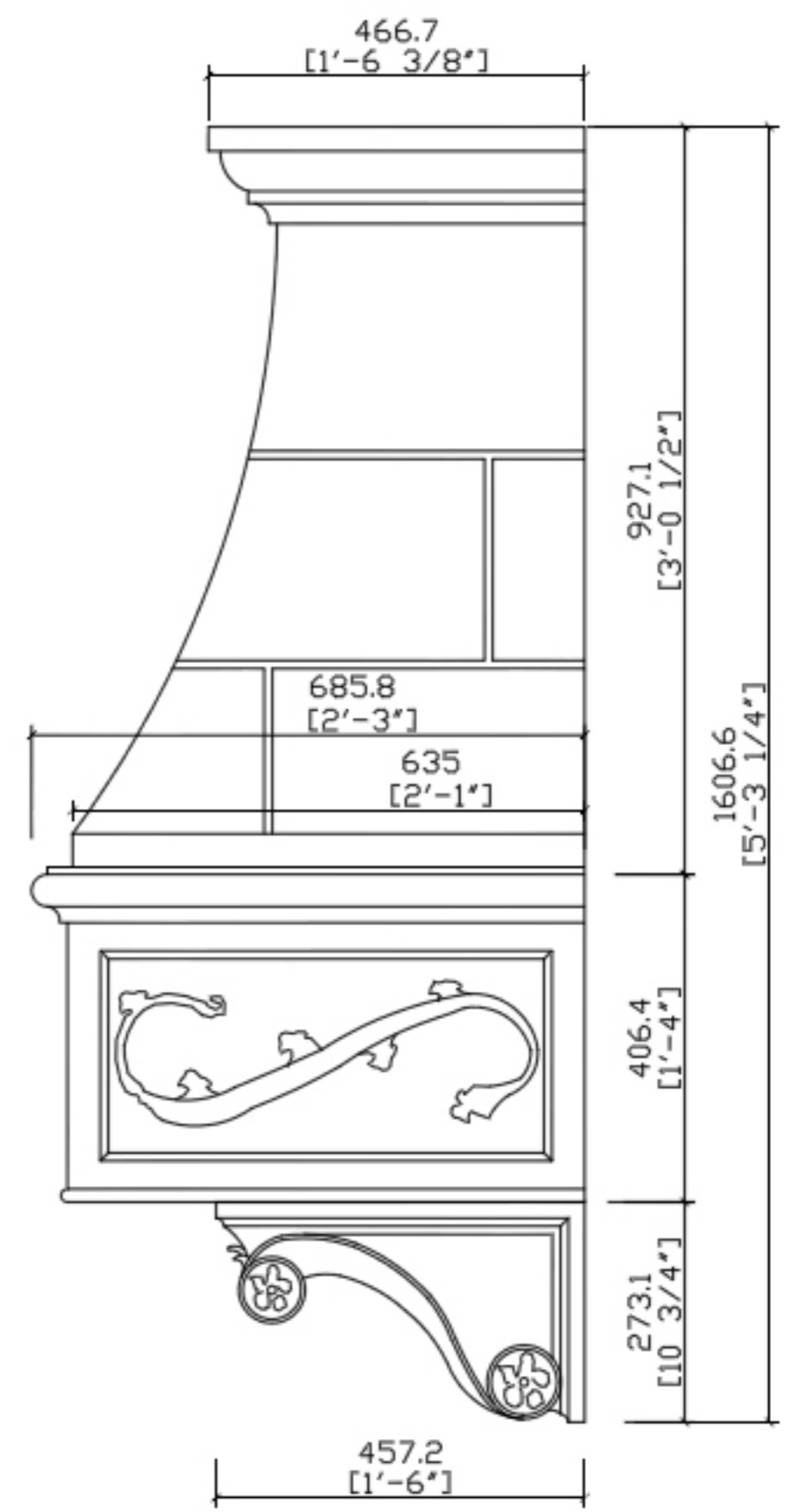


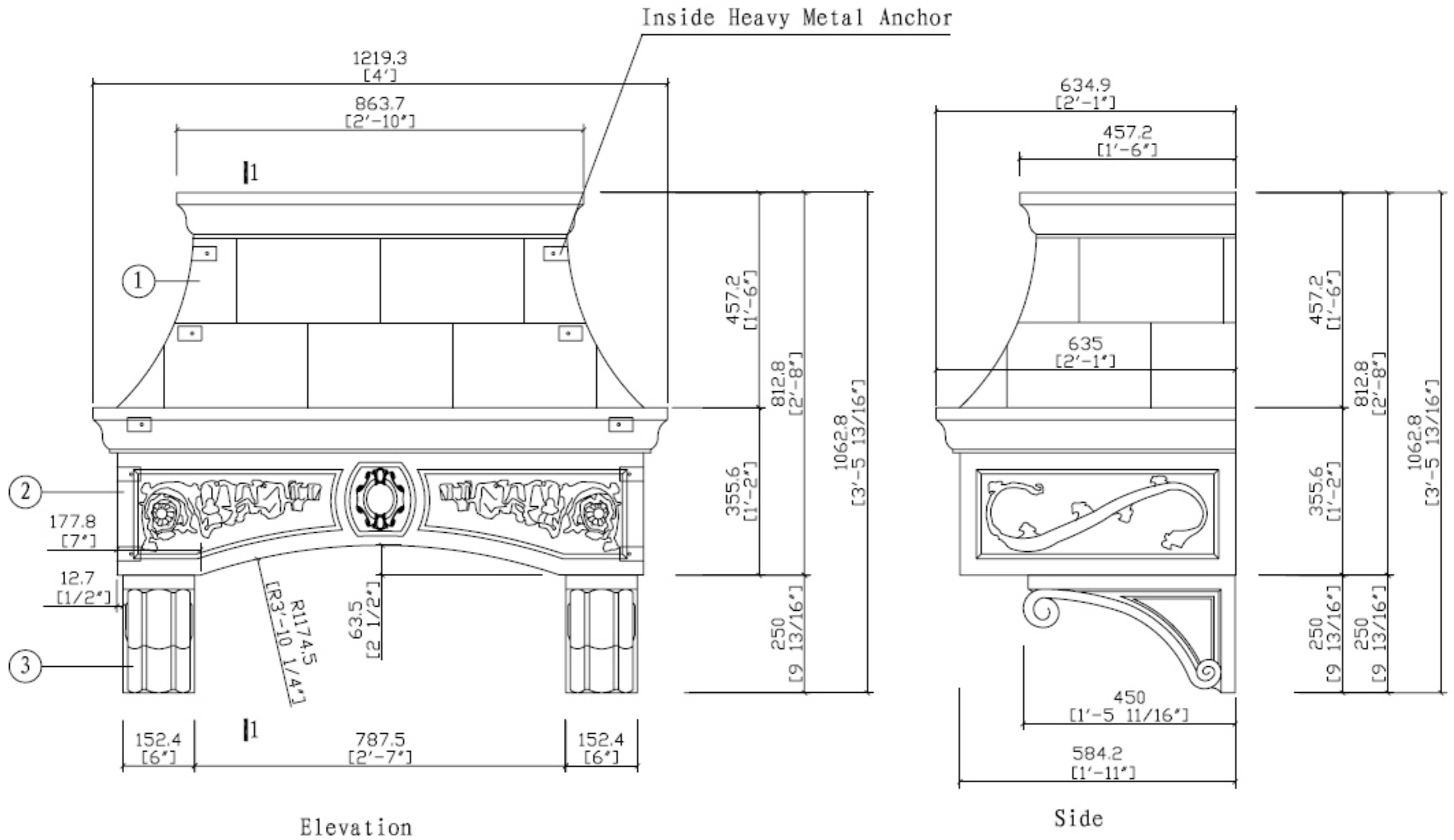
Inside Heavy Metal Anchor



Elevation



Side



Note:
 1. sandstone finish.
 2. top closed over.